

Nina Campbell

MARGOT DESK



This beautiful desk with curved legs offers 5 drawers of storage with turned handles. With a faux leather top and lined drawers, colour can be chosen within our range, the desk has a drag paint finish.

PRODUCT CODE SKU 440274

DIMENSIONS

Width: 140cm/ 55"

Height: 76cm/ 30"

Depth: 66cm/ 26"

LEATHER INLAY

Leather colour can be customised in any leather of your choice

COL required:

FINISHES

All finishes can be viewed [here](#)

DELIVERY

8-10 weeks

Made in the UK

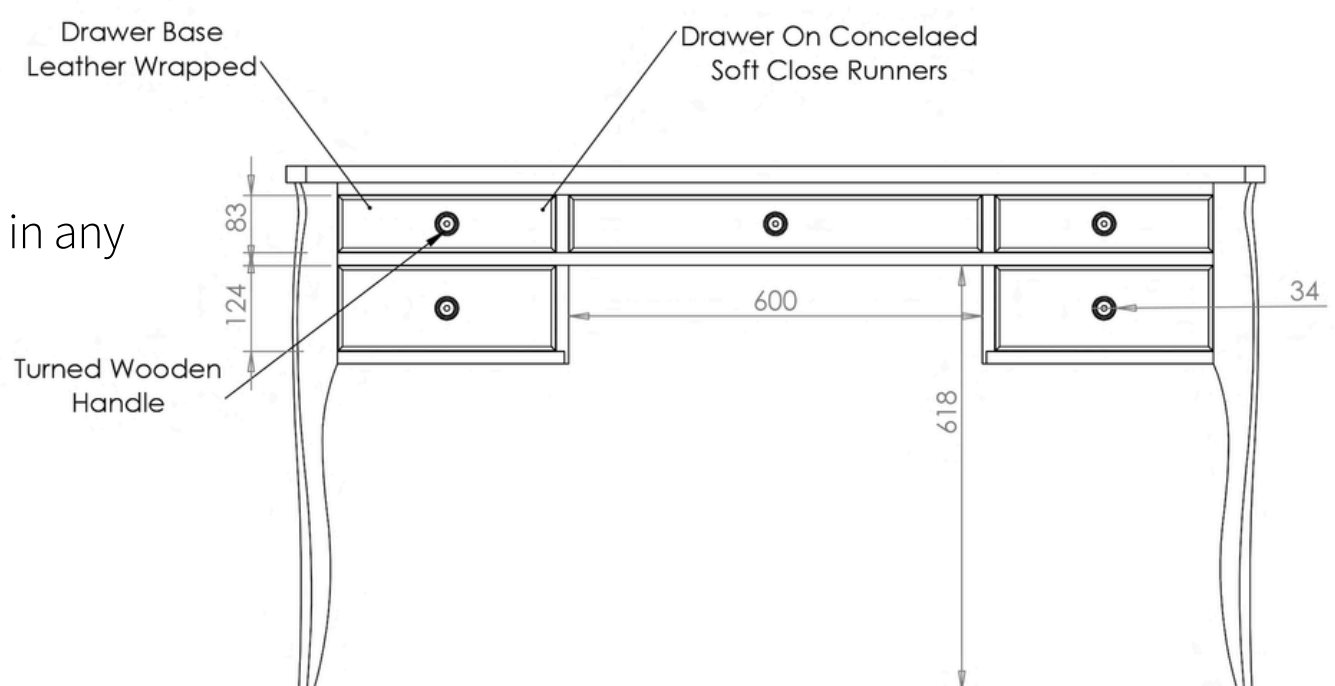


IMAGE DIMENSIONS IN CM

For more information please email furniture@ninacampbell.com

ninacampbell.com